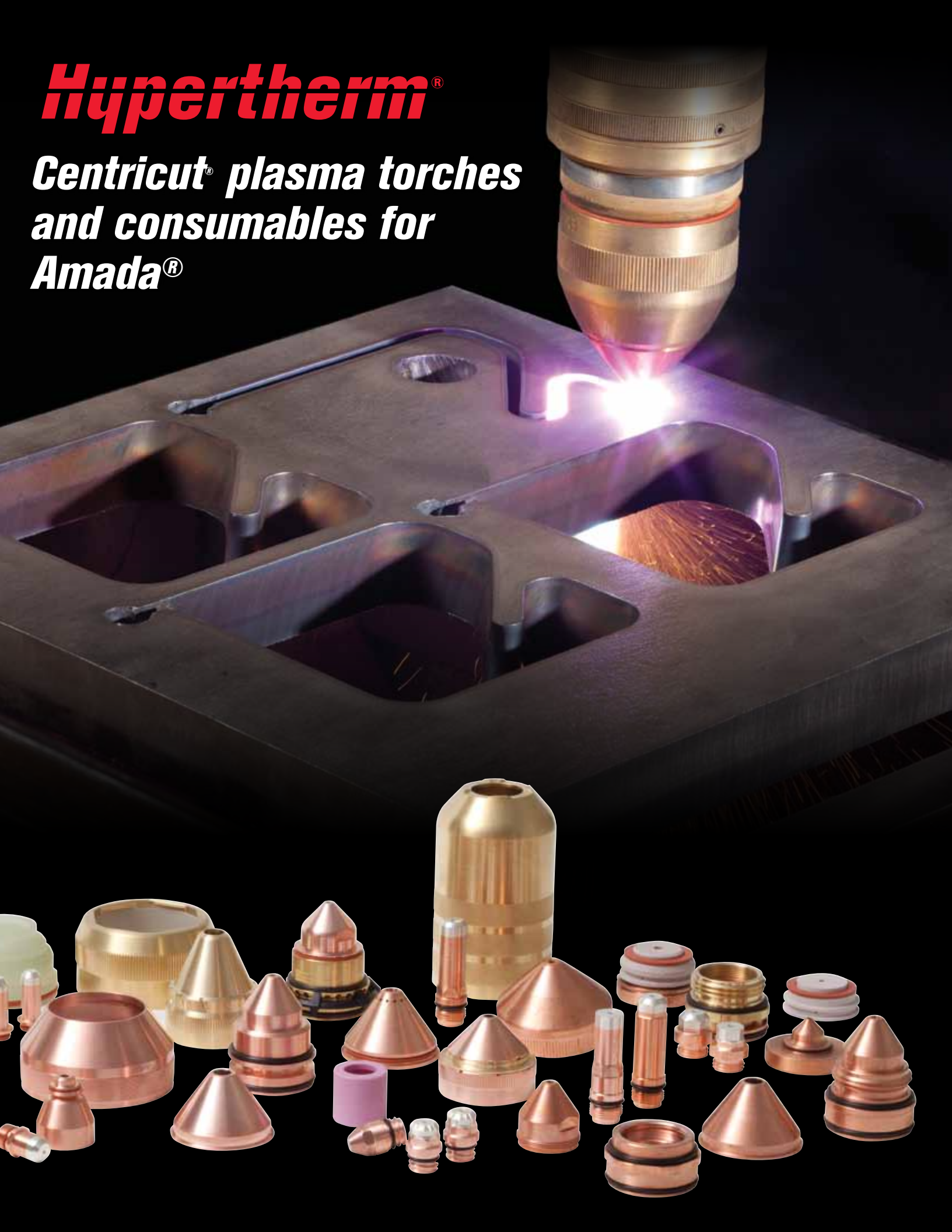


**Hypertherm<sup>®</sup>**

**Centricut<sup>®</sup> plasma torches  
and consumables for  
Amada<sup>®</sup>**



**Product is available for the following major OEM brands**

---

AMADA®

---

ESAB®

---

KALIBURN®

---

KJELLBERG®

---

KOIKE®

---

KOMATSU®

---

LINCOLN®

---

THERMAL

---

DYNAMICS®

---

WHITNEY®

---

WIEDEMANN®

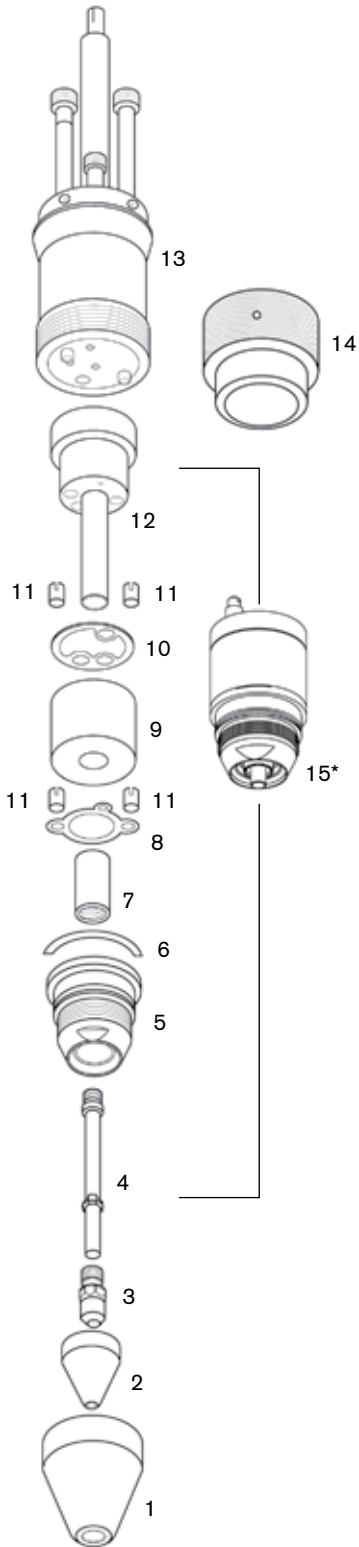
**Consumables**

Centricut part number	Reference number	Description	Pkg qty
1 C14-332	74172324	Nose piece	1
2 C14-330	74172325	Nozzle, Air, .063, 150 amp	5
C14-331-S	648-331	Nozzle, Air, .098	5
C14-731	N/A	Nozzle, Air, .110	5
3 C14-328	N/A	Electrode, Air, 150 amp	5
C14-927	74172326	Electrode, without o-ring, Air, 250 amp	5
C14-327	74172326	Electrode, with o-ring, Air, 250 amp	5

**Maintenance items**

Centricut part number	Reference number	Description	Pkg qty
4 C14-794	74172327	Circulating tube, water tube	1
5 C14-280	74172301	Nozzle holder	1
6 C14-282	74172303	Gasket spacers	2
7 C14-281	74172302	Gas guide ring	1
8 C14-286	74172307	Lower gasket	5
9 C14-959	74172308	Insulating spacer	1
10 C14-288	74172309	Cathode holder pkg, middle gasket	5
11 C14-285	74172306	Hole guides	5
12 C14-960	74172310	Manifold	1
C14-283	74172304	O-ring seal	5
C14-284	74172305	O-ring	5
C14-010	N/A	O-ring	5
C14-793	74172311	O-ring, rear manifold	4
13 C14-964	74172314	Upper body	1
C14-866	649-966	Torch tube cover	1
14 C14-961	74172328	Head cover assembly	1
C14-963	74172313	High frequency pin	1
C14-962	74172312	High frequency socket	1
C14-765	649-765	One touch torch	1
15 C14-118*	N/A	Lower torch body assembly (includes items 4 – 12)	1
027055	N/A	Lubricant .25 oz. (7 ml) tube	1

\* Centricut part features a unique Hypertherm design that differs from the OEM design.





**Technology products for ESAB<sup>®</sup>,  
Kjellberg<sup>®</sup> and Kaliburn<sup>®</sup>**

**Hypertherm<sup>®</sup>**

**Cut with confidence™**

**Hypertherm, Inc.**  
Hanover, NH 03755 USA  
603-643-3441 Tel

**Hypertherm (S) Pte Ltd.**  
Singapore 349567  
65 6841 2489 Tel

**Hypertherm (Shanghai)  
Trading Co., Ltd.**  
PR China 200052  
86-21 5258 3330 /1 Tel

**Hypertherm Europe B.V.**  
4704 SE Roosendaal, Nederland  
31 165 596907 Tel

**HYPERTHERM BRASIL LTDA.**  
Guarulhos, SP - Brasil  
55 11 2409 2636 Tel

**[www.hypertherm.com](http://www.hypertherm.com)**



Hypertherm and Centricut are registered trademarks of Hypertherm, Inc. and may be registered in the United States and/or other countries. All other trademarks are the properties of their respective owners.