

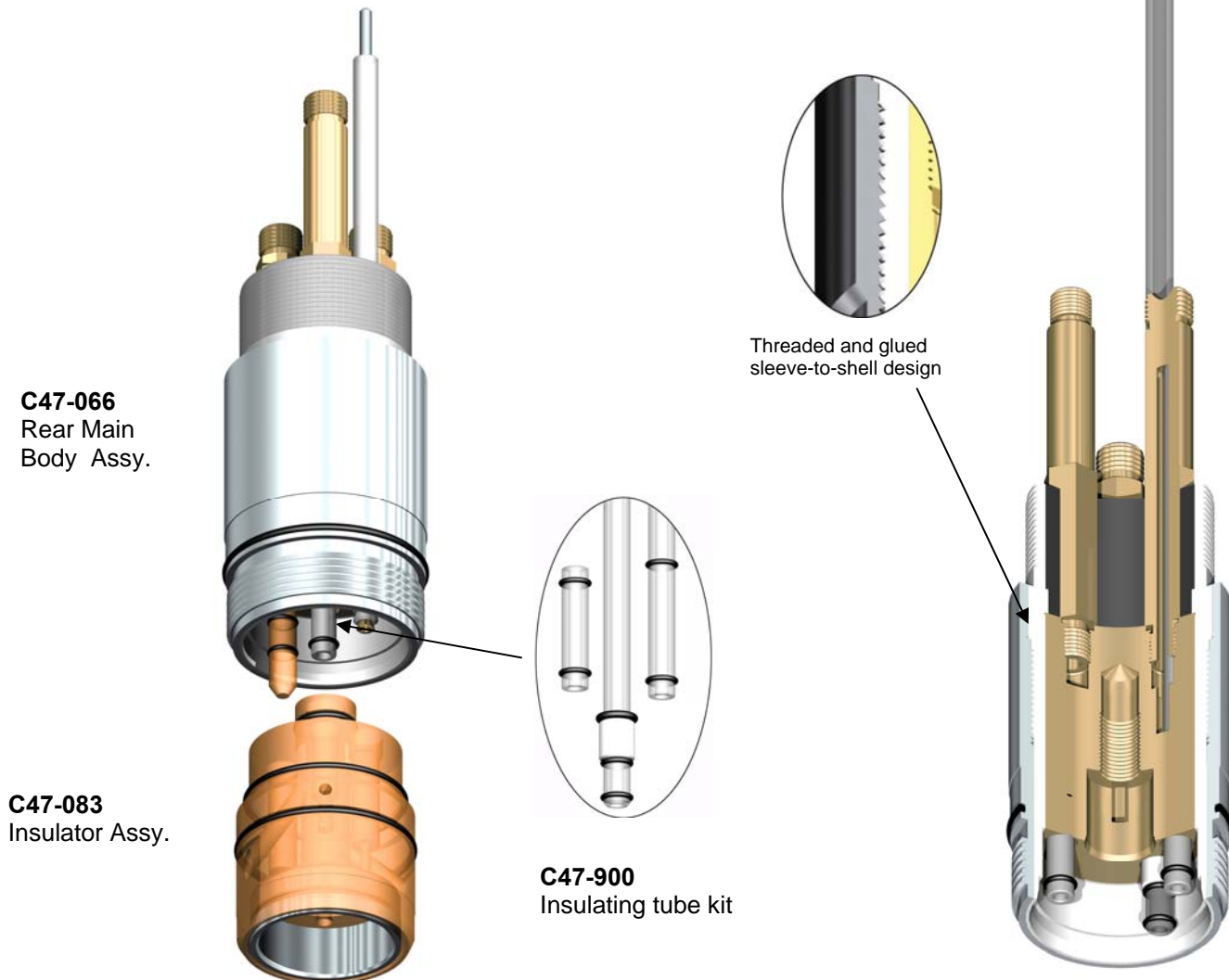
Product Bulletin: C47-066 Improved Torch Body for PT-19XLS

Centricut has introduced a new torch body (part # C47-066) for Esab plasma systems using the PT-19XLS style torch.

This new torch body features a unique threaded and glued sleeve-to-shell design that improves long term alignment of torch components and overall service life of the torch.

Centricut has also introduced the mating insulator body part number C47-083 which is a direct replacement for ESAB part number 37083.

Also available from Centricut is part number C47-900 insulating tube kit which provides a more cost effective torch rebuild option.



C47-066
Rear Main
Body Assy.

C47-083
Insulator Assy.

C47-900
Insulating tube kit

Centricut is in no way affiliated with ESAB®; PT-19XLS is a product of ESAB®