

## NEW Torch Assemblies, SilverLine® for PT-15XL

Centricut has introduced new replacement torch assemblies for PT-15XL plasma torch, P/N's **C10-954, C10-955**, featuring our patented SilverLine® electrode technology.

Our complete assembly simplifies purchasing, maintenance, & repair of the torch. All torch components and associated o-ring seals are factory assembled and leak tested to ensure a high quality, ready-to-install torch.

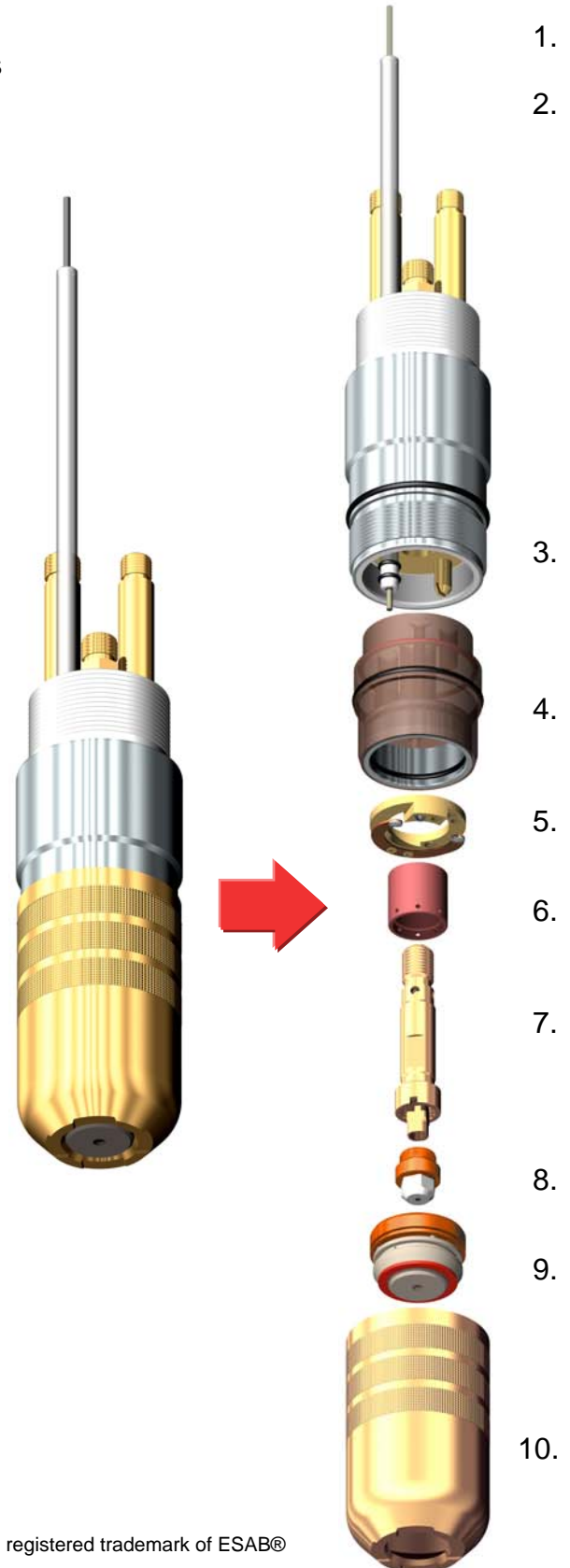
- Factory assembled and leak checked
- All components OEM compatible
- Field repairable
- Durable threaded torch body
- SilverLine® Electrode technology on board

### C10-954 Torch Assy, SilverLine® 260 Amp includes:

1. L10-082 PA bus wire
2. L10-003 PA bus insulation
3. C10-754 Threaded torch body
4. C10-755 Insulator body w/ o-rings
5. C10-940 Contact ring
6. C10-586 Gas baffle
7. C10-398 Electrode holder
8. C10-1063 SilverLine® Electrode, 260A
9. C10-751 Nozzle, 260A
10. C10-758 Retaining cup

### C10-955 Torch Assy, SilverLine® 300 Amp includes:

1. L10-082 PA bus wire
2. L10-003 PA bus insulation
3. C10-754 Threaded torch body
4. C10-755 Insulator body w/ o-rings
5. C10-940 Contact ring
6. C10-660 Gas baffle
7. C10-398 Electrode holder
8. C10-1066 SilverLine® Electrode, 300-360A
9. C10-962 Nozzle, 300A
10. C10-758 Retaining cup



Centricut is in no way affiliated with ESAB®, PT-15XL® is a registered trademark of ESAB®